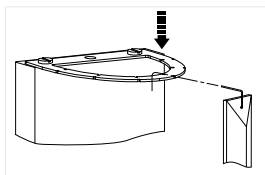


Commissioning

- Wrap the earth connection in two layers of insulation tape, and push this into the wall cavity.
- Fit the product onto the wall back and tighten the finials to secure. Take care not to trap any wiring. Ensure the lampholder faces upwards.
- Fit the crystals by aligning the metal tag up with the slot on the front and folding the tag over into the slot on the rear. See diagram below.
- Refit end caps and screws using the supplied tool
- Replace fuse or circuit breaker and switch on. Your light is now ready for use.

Fitting/replacing bulbs


- When changing a bulb, always switch off at the mains and allow the bulb to cool before handling. Used bulbs should not be disposed of with household waste. Please recycle where facilities exist.
- Always use the correct type and wattage bulb. Using the incorrect wattage bulb will damage the product.
- Use a soft cloth to handle bulbs, avoid directly touching the bulbs as this will shorten their life.
- Using the supplied allen key, undo the top screw and remove the end cap, set aside.
- Undo the two large screws holding the crystal frame in place, pull the frame and crystals forward and unscrew the bulb cover. Pull the bulb out to remove.
- Push the new bulb in. Refit the bulb cover. Move the frame back into place and refit the screws.
- Adjust the position of the crystals if necessary. Refit the top cap and the allen screw using the supplied tool.



We recommend cleaning with a soft dry cloth. Do not use solvents or abrasive cleaners as these could damage the finish.

Crystal parts – Remove and wash in warm water or just use a damp cloth. Do not use abrasive materials as these will damage the finish.

Recycling advice

 Waste electrical products should not be disposed of with household waste. Please recycle where facilities exist. Check with your Local Authority or retailer for recycling advice.

Safety information

For your safety, always switch off the supply before changing lightbulbs, or cleaning.



This bulb is protected by a glass shade. This part must be replaced immediately should the glass shade become cracked or damaged. This fitting must not be used without the glass shade in place.



- EN Scan QR code for multi-language
- FR Scannez le code QR pour plusieurs langues
- ES Escanee el código QR para varios idiomas
- PL Zeskanuj kod QR dla wielu języków
- DE Scannen Sie den QR-Code nach mehreren Sprachen
- IT Scansiona il codice QR per multilingua

Instruction leaflet

Wall Light

91820



Thank you for purchasing this light fitting. Please read the instructions carefully before use to ensure safe and satisfactory operation of this product. Please retain these instructions for future reference.

Warning

This light fitting is double insulated (class 2) and does not require connection to an Earth circuit

Please read these instructions carefully before commencing any work.

This unit must be fitted by a competent and qualified electrician.

Install in accordance with IEE Wiring regulations and current Building Regulations.

To prevent electrocution switch off at mains supply before installing or maintaining this fitting. Ensure other persons cannot restore the electrical supply without your knowledge.

This light fitting should be connected to a fused circuit.

If replacing an existing fitting, make a careful note of the connections.

Always use the correct type and wattage bulb. Never exceed the wattage stated.

When changing a bulb, always switch off at the mains and allow the old bulb to cool down before handling. Dispose of used bulbs carefully and responsibly.

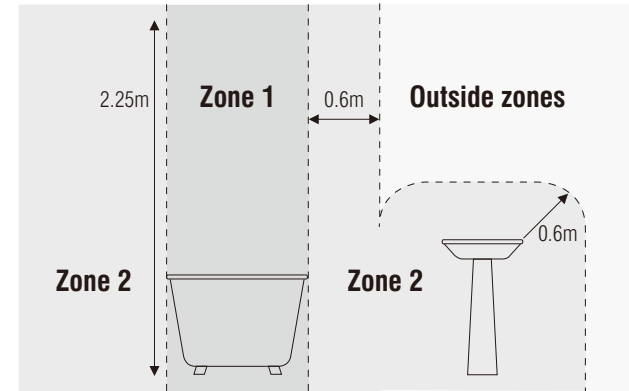
Waste electrical products should not be disposed of with household waste. Please recycle where facilities exist. Check with your local authority or retailer for recycling advice.

Specification

Voltage: 220-240V~ 50Hz
Lamp: 2 x 3W LED G9
IP rating: 44

Layout

- Plan the desired layout of this fitting carefully, ensuring the cables will reach the distance between the junction box and the light fitting
- Avoid locating any cables in positions that would cause a hazard. Position cables and junction boxes (not supplied) away from areas where they may be at risk from being cut, trapped or damaged
- Cables in walls must be protected using suitable conduit or plastic trunking.
- The mains supply cable must have a minimum cross sectional area of 1.0mm²
- This product must only be fitted with the lampholder facing upwards.
- This product has special protection against the ingress of moisture and is IP44 rated.
- Please ensure that this light is mounted out of the reach of children.



This product is suitable for use in Zone 2 and outside Zones of a bathroom. See diagram. If this unit is being fitted in a room containing a bath or shower, a 30mA RCD must be used, in accordance with IEE regulations.

Installation

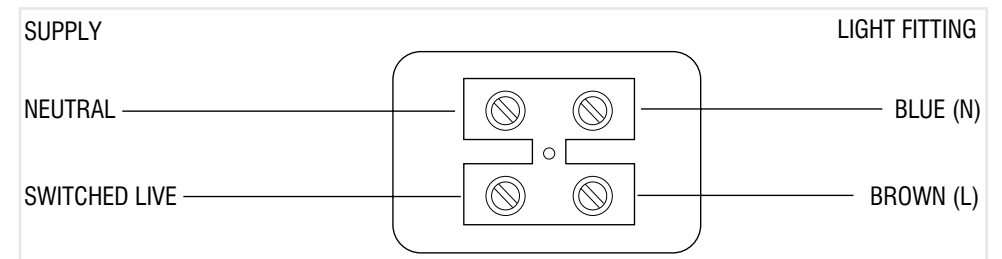
Existing fittings must be completely removed before installation of a new product. Before removing the existing fitting, **carefully note the position of each set of wires.**

- Undo the finials and remove the wall bracket from the product and set aside.

- Using the wall bracket as a template, hold in place and mark the position of the holes.
- Ensure the wall is capable of holding the weight of the product. Take care to avoid damaging any concealed wiring and pipes. The correct fixings should be used.
- Fit the wall bracket in position

Wiring

Having correctly identified the wiring from your existing light fitting, connect to the connection block on the product in the following way:



Check that...

- Replace the cover on the terminal block.
- You have correctly identified the wires
- The connections are tight
- No loose strands have been left out of the connection block.