

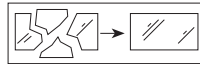
# Flush Light Fitting

## INSTRUCTION MANUAL

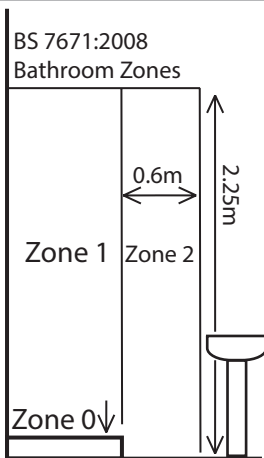
### Safety Warnings

- It is recommended that this light be installed by a qualified electrician in accordance with current IEE Wiring Regulations and Building Regulations ( Part P ).
- This product is only suitable for connection to a 240v~50Hz supply and is for indoor use only.
- This light may be installed in “Zones 1 and 2 and Outside Zones” of a bathroom where water jets are not used for cleaning purposes. These zones are referenced in BS 7671: 2008 “Requirements for Electrical Installations”, IEE Wiring Regulations 17th Edition. All dimensions must be checked in conjunction with the Regulations.
- The supply circuit must be protected by an RCD OR the casing of the light must be connected to the “Supplementary Equipotential Bonding” points in the bathroom.
- An electrician must be consulted if in any doubt about your own competency or meaning of bathroom “Zones” or “Equipotential Bonding” or “RCD”.
- This fitting is a Class I, Earthed product. The Fitting must be connected to Earth.
- Switch off the mains supply and remove the appropriate fuse or switch off the appropriate circuit breaker before commencing installation.
- Do not install a bulb with a greater wattage or different shape than specified on the label.
- Clean with a dry cloth only. Do not use liquid or abrasive cleaners on this product, and allow 10 minutes to cool before replacing adjusting or cleaning.
- If any modification is made it will invalidate the warranty and may render the product unsafe.
- If the glass or diffuser is broken or cracked it must be replaced, please consult your retailer. This is the

symbol which denotes this requirement:

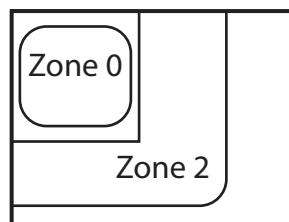


### Zone Information



Shower tray shown; bath has equivalent diagram.  
Refer to Standard for more information.

Basins should be regarded as having a 600mm Zone 2 hemisphere above and extending down to floor.



### Assembly/ User Instructions

#### Before you start

Please read these instructions carefully before fitting and retain for reference. Check the packaging and make sure that you have all the required parts. Follow each assembly step in order to prevent incorrect assembly. Ensure that the product is fully assembled as illustrated before use.

#### The Light pack contains:

Light fitting.  
Terminal connection block(s).  
Fixing pack.

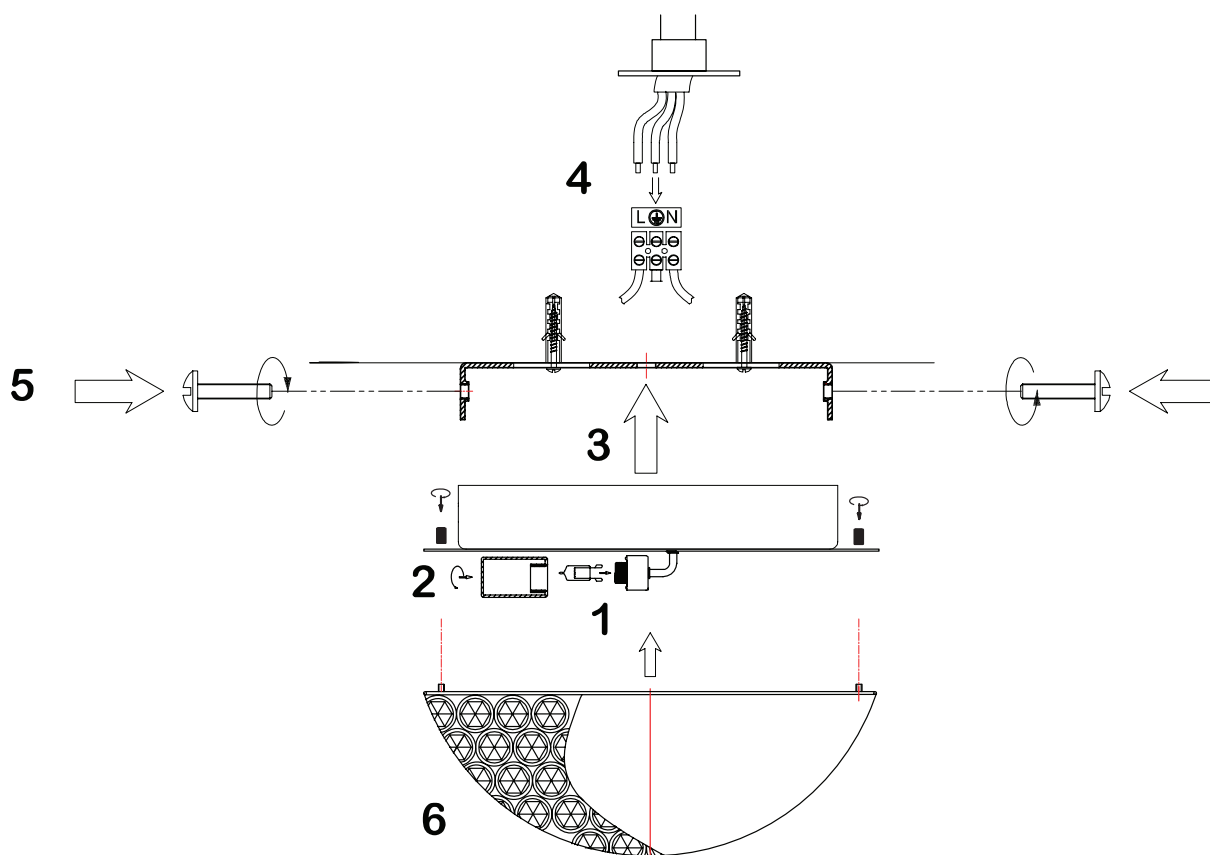
#### The following tools may be required:

Selection of cross and flat head screwdrivers.  
Electric drill and assorted drill bits.  
Wire strippers.  
Electrical insulation tape.

## Assembly/ User Instructions Continued

**These assembly diagrams are intended as a guide – if in doubt consult a qualified electrician.**

1. Decide on the position of the light fitting / or remove existing light fitting. Take a note of the position of the electrical connections. Ensure there is a solid mounting surface, preferably a wooden joist or joist bridge to support the weight of the light fitting.
2. Install the bulbs (1). Never fit a bulb with a higher wattage, as this could cause over heating and damage the fitting.
3. Fit the light cover (2), ensuring the seal is tight and being aware of cross-threading.
4. Remove the two side screws (5) and retain the screws for re-use. Use the fixing bracket as a template to mark the screw holes. Mark the screw holes and secure to the ceiling with appropriate screw fixings (3).
5. Support your fitting and connect the house wiring to the terminal block (4). When you are sure of the connections wrap the Terminal Block and overlap the wiring both sides with 2 layers of insulation tape. NOTE: This is a Class I fitting and must be earthed. The 4th terminal block connector is used for the “loop” wires of the “Ring Circuit”. There may be more than one set of cables in the “loop” connections. If there is a “Ring Circuit” and you do not understand the connections you must consult an electrician. Any loose terminal blocks - not secured to ceiling cup - should always be covered with 2 layers of good quality insulation tape. Re-fit the back box ensuring no wires are damaged, trapped or left exposed. Check the seal, use sealant if required
6. Secure the backplate over the bracket by using the screws (5) removed in Point 2.
7. Secure the shade (6) over the backplate.
8. Turn on the power and test.



- EN Scan QR code for multi-language
- FR Scannez le code QR pour plusieurs langues
- ES Escanee el código QR para varios idiomas
- PL Zeskanuj kod QR dla wielu języków
- DE Scannen Sie den QR-Code nach mehreren Sprachen
- IT Scansiona il codice QR per multilingua